



Materials

| Components | Materials |
|------------------------|------------------------------|
| Pump casing | Cast iron GJL 200 EN 1561 |
| Gears | Steel 18 Ni Cr Mo 5 UNI 8550 |
| Shafts | Steel 18 Ni Cr Mo 5 UNI 8550 |
| Radial shaft seal ring | FPM |

Construction

Close-coupled gear pumps (rotary pumps).
Pump casing with suction and delivery connections with the same diameter and on the same axis (in-line execution).

Applications

For fuel oil and liquids with lubricating properties.

Operating conditions

Kinematic viscosity from 30 mm²/s (4 °E) to 120 mm²/s (15°E).
Liquid temperature up to 90 °C.
Ambient temperature up to 40 °C.
Total suction lift up to 4 m.
Continuous duty.

Motor

4-pole induction motor, 60 Hz (n ≈ 1750 rpm).

I, IR, IRR: three-phase 220/380 V.

IM : single-phase 220 V.

Insulation class F.

Protection IP 54.

Constructed in accordance with: EN 60034-1; EN 60034-30.
EN 60335-1, EN 60335-2-41.

Special features on request

- Other voltages.
- Protection IP 55.
- Higher liquid or ambient temperatures.

Performances n ≈ 1750 rpm

| | 3 ~ 220V 380V | | 1 ~ 220V P ₁ | | P ₂ | | n rpm | Q m ³ /h l/min | Δp bar | 0.72 12 |
|------------|------------------|-----|-------------------------|---------------------|----------------|------|----------|---------------------------------|-----------|------------|
| | A | A | A | kW | kW | HP | | | | |
| I | 25/4-60/A | 1,7 | 1 | IM 25/4-60/A | 2,5 | 0,48 | 0,25 | 0,34 | 1750 | 2 |
| IR | 25/4-60/A | 2,4 | 1,4 | | | | 0,37 | 0,5 | 1750 | 2,5 |
| IRR | 25/4-60/A | 3,8 | 2,2 | | | | 0,75 | 1 | 1750 | 5 |

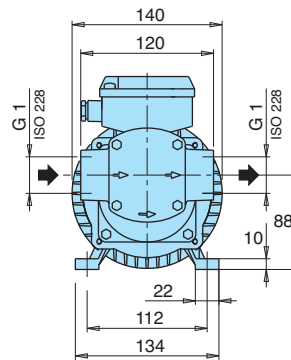
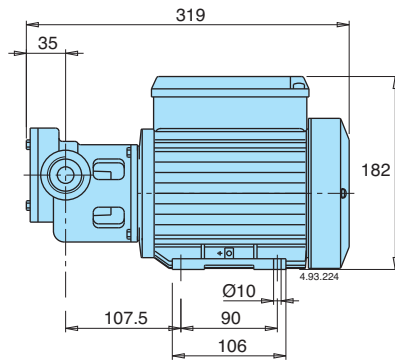
P₁ Max. power input.

P₂ Rated motor power output.

Δp Differential pressure.

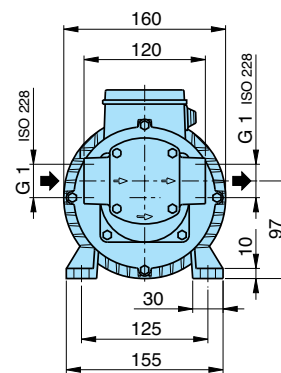
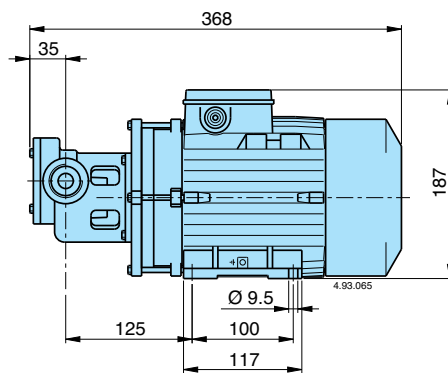
Dimensions and weights

I 25/4-60/A
IM 25/4-60/A
IR 25/4-60/A



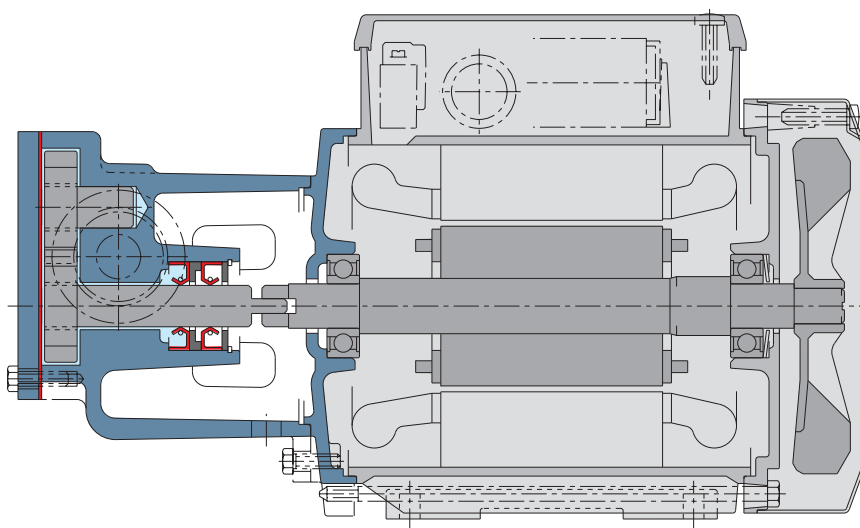
| TYPE | kg |
|--------------|------|
| I 25/4-60/A | 10 |
| IM 25/4-60/A | 11,7 |
| IR 25/4-60/A | 11,6 |

IRR 25/4-60/A



| TYPE | kg |
|---------------|------|
| IRR 25/4-60/A | 17,6 |

Features



Innovative structure

The flanged pump casing and two piece shaft allows the hydraulics to be disassembled easier, facilitating quick maintenance operations.